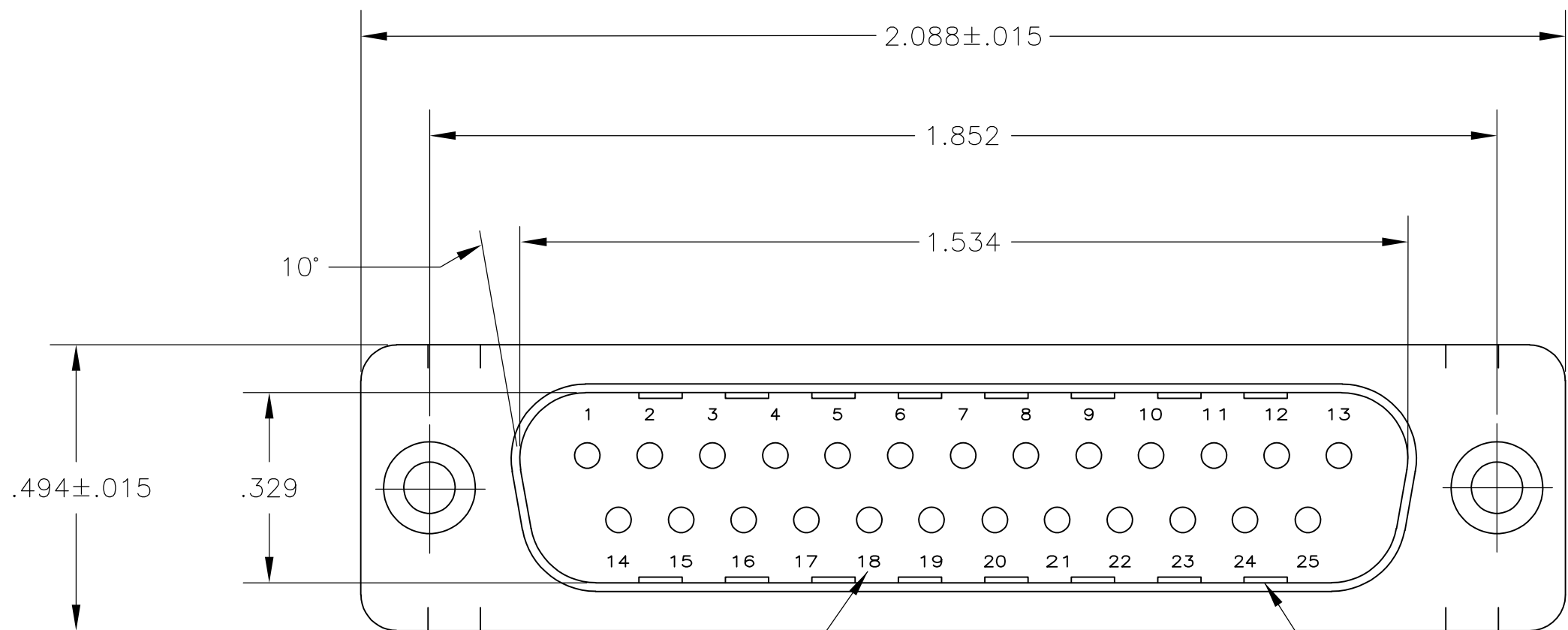


THIS DRAWING IS UNPUBLISHED. RELEASED FOR PUBLICATION
 © COPYRIGHT - By - ALL RIGHTS RESERVED.

LOC	DIST	REVISIONS					
GP	00	P	LTR	DESCRIPTION	DATE	DWN	APVD
		A		RELEASED PER ECO-11-002006	14APR2011	CJV	CWR



1. CONNECTOR ACCEPTS SIZE 20 DF PIN CONTACTS, RETENTION TINES ARE AN INTEGRAL PART OF INSERT.

2. MOLDED PARTS: FLAME RETARDANT 94V-0 RATED THERMOPLASTIC; COLOR: BLACK.

3. SHELLS & CLINCH NUTS: STEEL PER ASTM A109.

4. SHELL FINISH: .000200 MIN TIN PLATE OVER .000100 MIN COPPER UNDERPLATE.

5. CLINCH NUTS: CLEAR CHROMATE OVER ZINC.

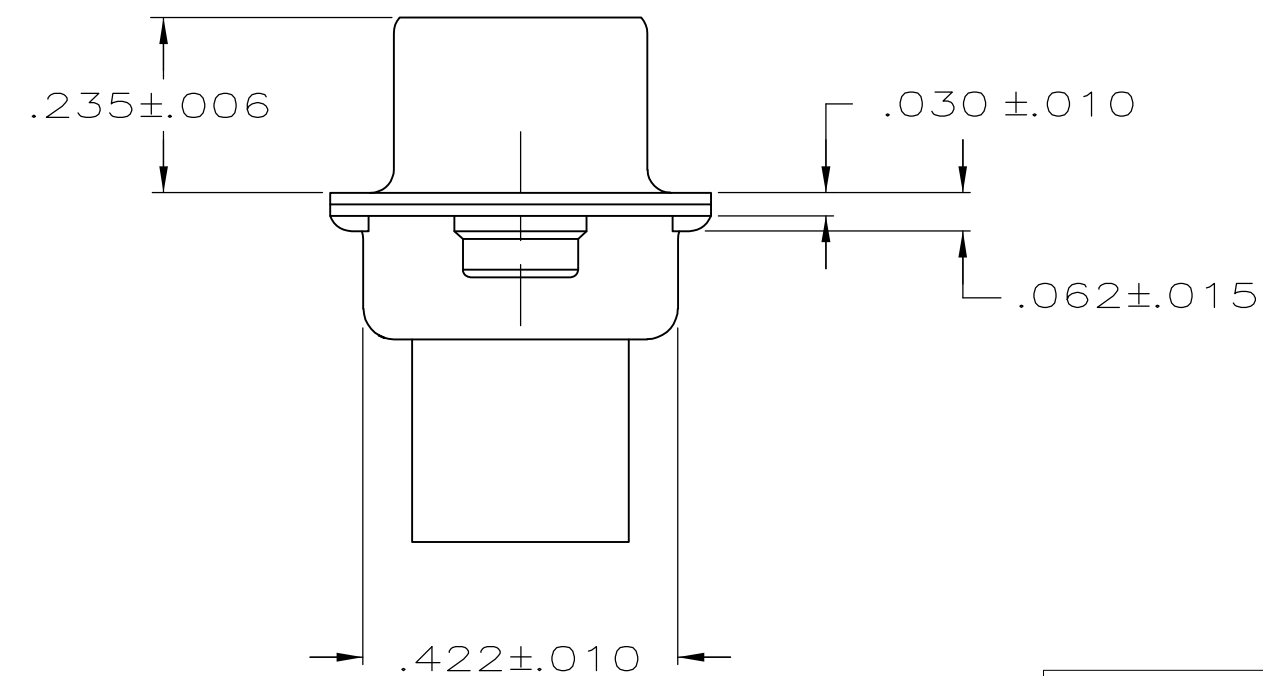
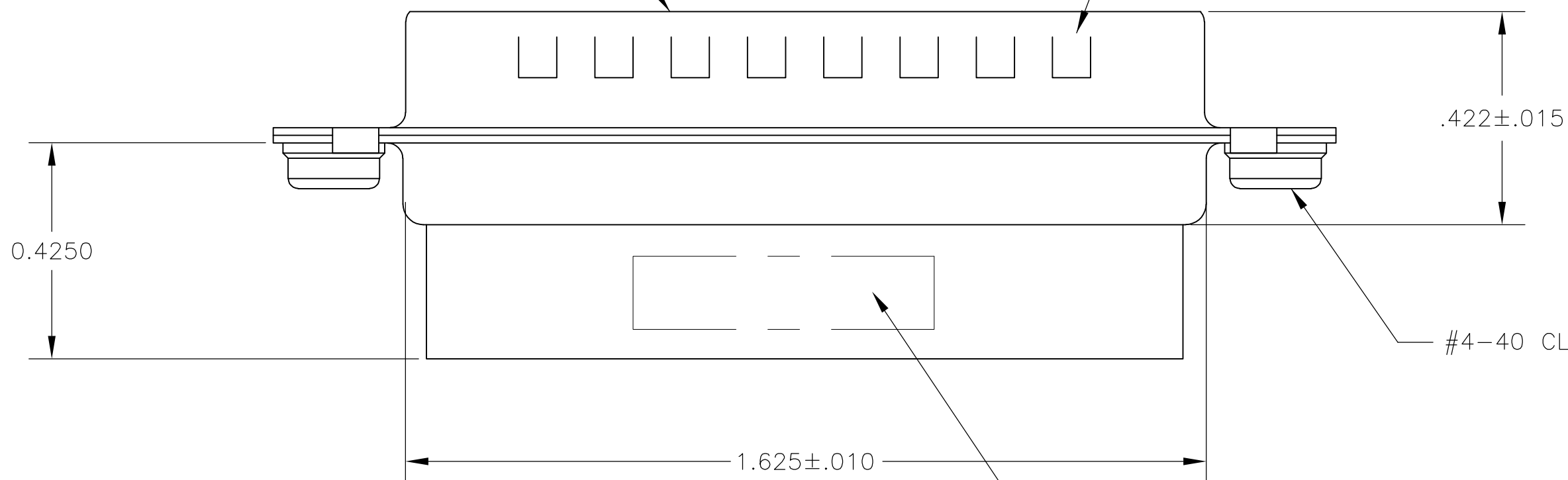
RAISED CAVITY IDENTIFICATION

GROUNDING INDENTS

MATING FACE

#4-40 CLINCH NUT

MANUFACTURERS LOGO, PART NO & DATE CODE, MARKED IN AREA INDICATED, ON FAR SIDE



5745036-2

PART NUMBER

THIS DRAWING IS A CONTROLLED DOCUMENT.		DWN	12-21-04				
		L. VARELA - DOCK5	12-21-04				
		CHK	12-21-04	TE Connectivity			
		J. GERACE		NAME			
		APVD	12-21-04	PRODUCT SPEC			
		M. WALMSLEY		108-40005			
		APPLICATION SPEC		114-40030			
		WEIGHT		-			
DIMENSIONS: INCHES		TOLERANCES UNLESS OTHERWISE SPECIFIED:		SIZE	CAGE CODE	DRAWING NO	RESTRICTED TO
0 PLC ± - 1 PLC ± - 2 PLC ± - 3 PLC ± .005 4 PLC ± - ANGLES ± 2°		FINISH		A2	00779	C=5745036	-
				CUSTOMER DRAWING			
MATERIAL		FINISH		SCALE	SHEET	REV	
				4:1	1 of 1	A	